

BOOK BINDING MADE SIMPLE!



Sidewinder™

ODM Sidewinder™ – Ideal for Producing ‘Lay-Flat’ Panoramic Photo Book Blocks up to 1” thick!

The Sidewinder™ is an automated, on-demand bindery system that’s designed for Mohawk’s Panoramic line of i-Tone photo papers. Mohawk paired its exclusive i-Tone digital surface treatment with TRU-Flat® technology from Convertible Solutions to papers that are easy to bind with ODM’s Sidewinder™ bindery system.

The Sidewinder™ eliminates the laborious process of using hand-operated equipment to produce book blocks for lay-flat photo books. ODM engineers developed an automated, self-contained bindery system that scores, folds, and presses book blocks up to 1 inch (25 mm) thick.

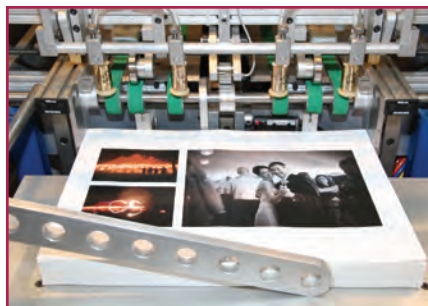
The Sidewinder™ can produce up to 100 panoramic photo book blocks per hour.

STANDARD FEATURES:

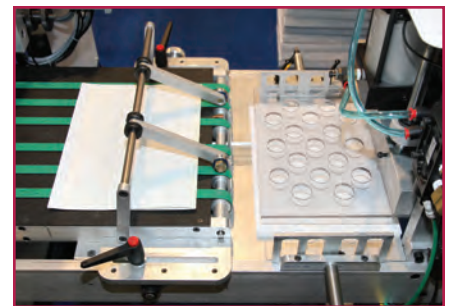
- Easy-to-use LCD control panel, no make ready
- Automated, self-contained bindery system scores, folds, and presses book blocks.
- Self-adjusting gripping mechanism
- Delivery neatly stacks finished book blocks
- Maximum Book Size:
Open: 27" x 14" (685 mm x 356 mm)
Closed: 13.5" x 14" (343 mm x 356 mm)
up to 1" (25 mm) thick



Mohawk Fine Papers has paired its exclusive i-Tone digital surface treatment with Convertible Solutions’ TRU-Flat® binding technology to create this groundbreaking panoramic format.



Grippers align and feed paper into Sidewinder™ bindery system to be scored, folded and pressed.



Finished book blocks come off conveyor belt and are stacked and ready for the casing-in process.

Sidewinder™



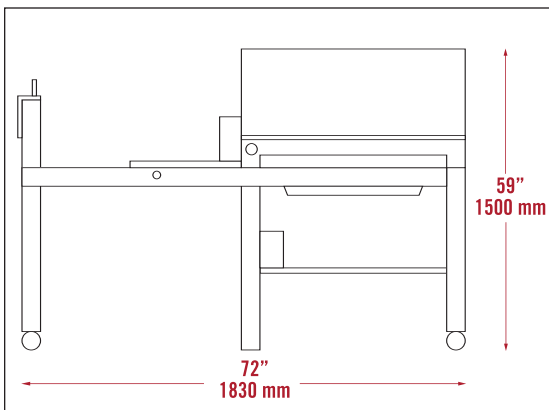
ODM LAY-FLAT BINDING SYSTEM

Sidewinder™ Binding System Offers Outstanding Value, Quality, and Performance!

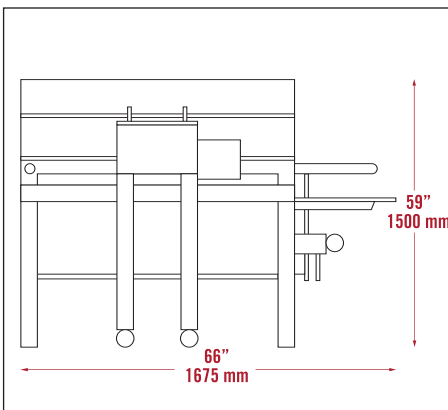
SPECIFICATIONS & TECHNICAL DATA:	SIDEWINDER™ MODEL	STANDARD EQUIPMENT for SIDEWINDER™ AUTOMATED BINDERY SYSTEM INCLUDES:
Max. Book Size Open:	27" x 14" (685 mm x 356 mm)	<ul style="list-style-type: none"> Automated, self-contained bindery system scores, folds, and presses book blocks up to 1" (25 mm) thick. Easy-to-operate, no make ready required. LCD touch screen control panel. Self-adjusting gripping mechanism aligns and feeds paper into Sidewinder to be scored, folded and pressed. Conveyor belt delivery system stacks finished book blocks.
Max. Book Size Closed:	13.5" x 14" (343 mm x 356 mm)	
Book Thickness:	up to 1" (25 mm)	
Output (per hour):	up to 100 book blocks	
Floor Space:	66" x 72" (1675 mm x 1830 mm)	
Net Weight:	650 lbs. (1430 kg)	
Power Required:	220 Volt, Single Phase (230V, 1ph) 50/60 Cycle, Air 70 PSI (5 bar)	

DIMENSIONS:

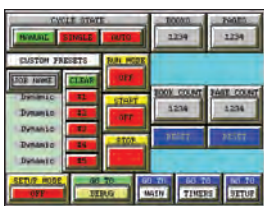
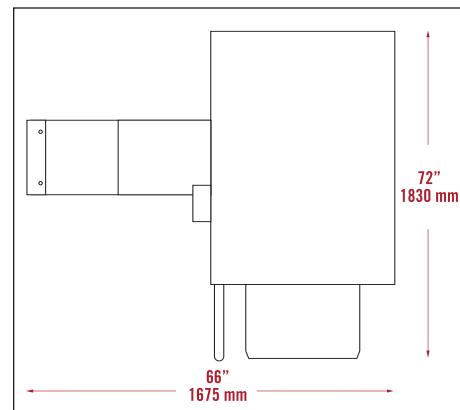
FRONT VIEW



SIDE VIEW



OVERHEAD VIEW



LCD Touch Screen Control Panel

- Easy-to-use

Panoramic TRU-Flat® Photo Books

ODM Sidewinder™ bindery system scores, folds, and presses Mohawk Panoramic papers allowing beautifully printed images to flow seamlessly across the fold, giving digital printers of all sizes the ability to produce high-value, high-impact books and bound products without a gutter.



ODM FREE TECH SUPPORT: 908-351-6906

150 Broadway, Elizabeth, NJ 07206 | Tel: 908-351-6906 | Fax: 908-351-7156 | www.ODMachinery.com