

CASING-IN MADE SIMPLE!



Sticker™ XXL

Next Generation ODM Casing-in Machine – Sticker™ XXL

The Sticker™ XXL has been re-engineered to produce hard cover books from wallet-size up to tabloid size covers. Cost-effective bookbinding machine can produce 100 to 300 covers per hour. Ideal for entry-level hard cover photo bookbinding production. ODM machines are built in the USA and work seamlessly with ODM's Casemaking System™ and Smasher™ XXL Series.

The operation of the Sticker™ XXL consists of placing the book on the wing while the machine is in the home position. After the book is loaded, the operator depresses a two bottom safety switch that drops the wing below the glue rollers. A servomotor brings the two glue stations in contact with the book while the wing travels upward, applying a uniform coating of adhesive to the end-sheets. As the book emerges from the glue pots the operator places the cover in position and removes the book from the wing. No make-ready time is required as the machine is self-adjusting. Glue stations are easily removed for a quick cleanup.

FEATURES:

- Easy to use, multi-language touch screen control panel.
- Computerized adjustment of blade height and stroke.
- Computerized speed adjustments.
- Produce 4" x 4" (100 mm x 100 mm) wallet to 18" x 18" (450 mm x 450 mm) tabloid size hard cover books from 1/32" to 4" (1 mm to 100 mm) thick; 100 to 300 books per hour.
- Optional extra paste attachment deposits additional adhesive in joint area.



Sticker™ XXL



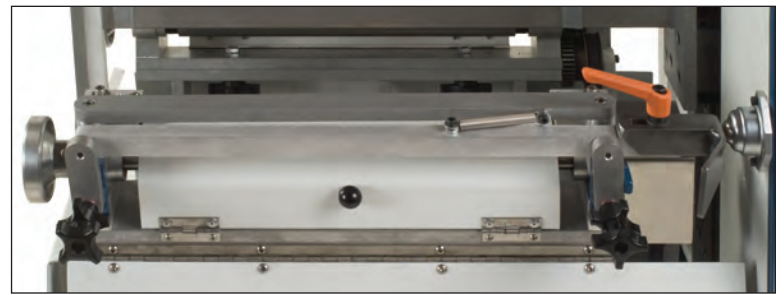
ODM CASING-IN MACHINE

Sticker™ XXL Casing-in Machine Offers Outstanding Value, Quality, and Performance!

SPECIFICATIONS & TECHNICAL DATA:	STICKER™ XXL MODEL	STANDARD EQUIPMENT for STICKER™ XXL CASING-IN MACHINE INCLUDE:
Maximum Book Size:	18" x 18" x 4" (450 mm x 450 mm x 100 mm)	<ul style="list-style-type: none"> • Easy to use touch screen control panel. • Self-adjusting machine requires no make-ready. • Glue stations are easily removed for quick clean-up. • Computer controlled blade height, stroke and speed. • Produce wallet to tabloid size hard cover books. • OPTIONAL: Extra paste attachment is available.
Minimum Book Size:	4" x 4" x 1/32" (100 mm x 100 mm x 1 mm)	
Output (per hour):	100 to 300 books	
Floor Space:	50" x 32" (1250 mm x 800 mm)	
Net Weight:	1100 lbs. (500 kg)	
Power Required:	220V, 60 cycle, single phase (230V, 50Hz, 1ph)	

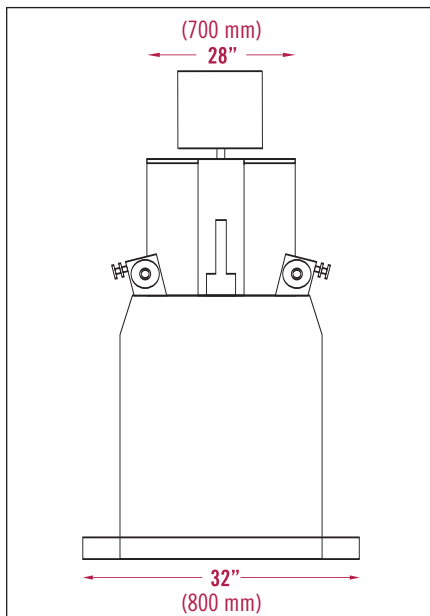


Easy to use, multi-language touch screen control panel

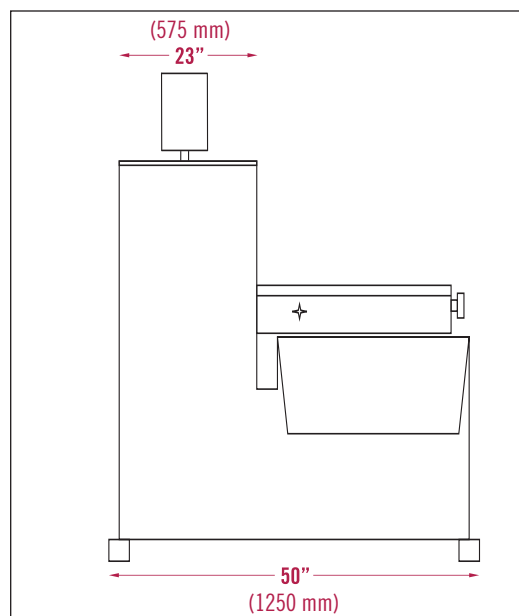


Extra paste attachment deposits additional adhesive in joint area.

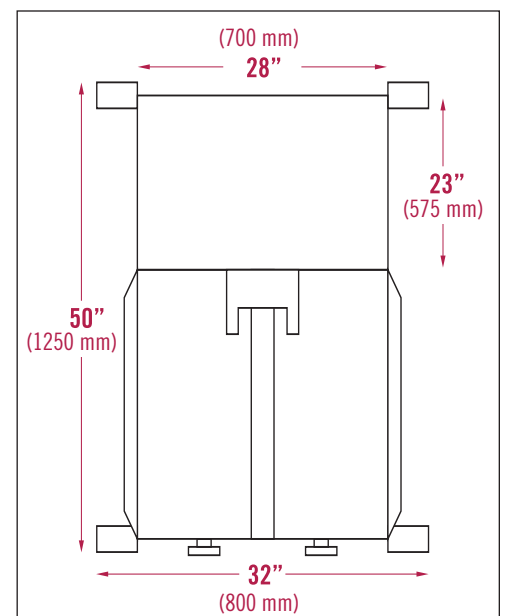
DIMENSIONS: FRONT VIEW



SIDE VIEW



OVERHEAD VIEW



ODM FREE TECH SUPPORT: 908-351-6906

150 Broadway, Elizabeth, NJ 07206 | Tel: 908-351-6906 | Fax: 908-351-7156 | www.ODMachinery.com