

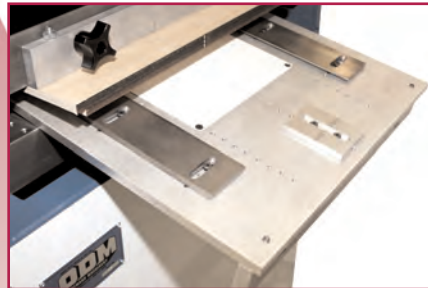
# DIE CUT WINDOWS MADE SIMPLE!



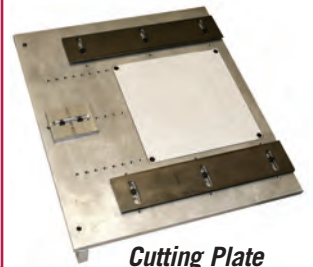
## Separator™

The ODM Die Cutting Machine – Separator™

The Separator™ is a simple, safe machine to die cut windows in finished books.



Adjustable Cover Guide



Cutting Plate



Easy To Install Die Plate



Die Plate

### STANDARD FEATURES:

- Mail slot insures operator safety
- Easy to install die plates
- Foot pedal to cycle
- Quick die change over system
- Minimal make ready
- Produce 200 to 400 die cut covers per hour



Insert Cover Into Mail Slot



Operator Depresses The Foot Pedal That Die Cuts A Window

# Separator™

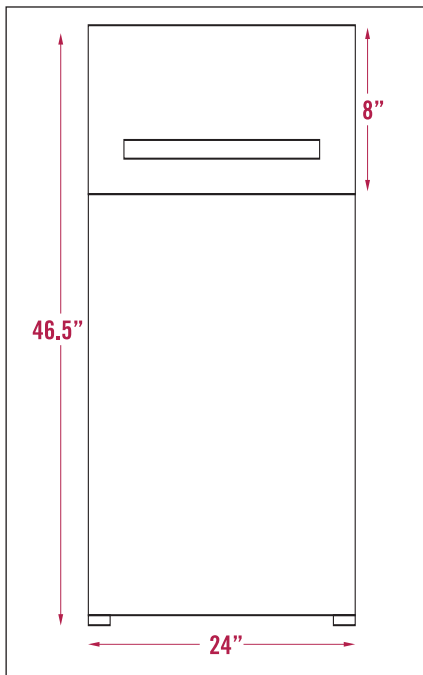
## ODM DIE CUTTING MACHINE



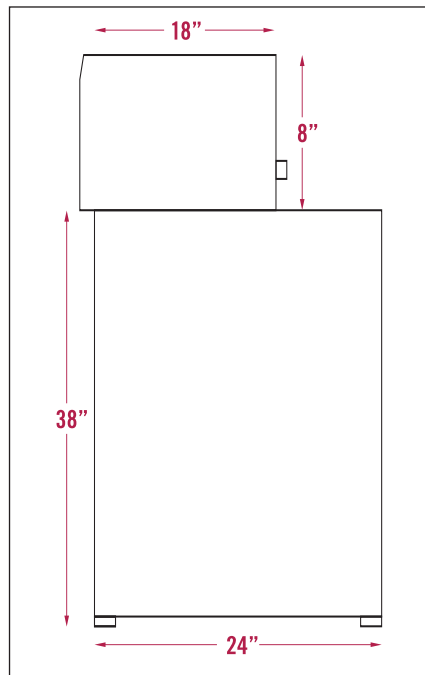
**ODM Separator™ Machine Offers Outstanding Value, Quality, and Performance!**

SPECIFICATIONS & TECHNICAL DATA:	SEPARATOR™ MODEL	STANDARD EQUIPMENT for SEPARATOR™ DIE CUTTING MACHINE INCLUDES:
Maximum Book Size:	11" x 14"	• Easy to install die plates.
Minimum Book Size:	8" x 8"	• Mail slot insures operator safety.
Output (per hour):	200 to 400 books	• Foot pedal to cycle.
Floor Space:	24" x 24"	• Quick die change over system.
Net Weight:	900 lbs.	• Minimal make ready
Power Required:	115 Volt, 60 cycle 14 Amp lines	

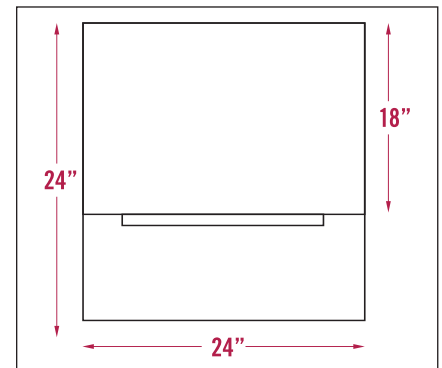
**DIMENSIONS: FRONT VIEW**



**SIDE VIEW**



**OVERHEAD VIEW**



*Hard cover book with die cut window.*



**ODM FREE TECH SUPPORT: 908-351-6906**

150 Broadway, Elizabeth, NJ 07206 • Tel: 908-351-6906 • Fax: 908-351-7156 • [www.ODMachinery.com](http://www.ODMachinery.com)